



This USB 3.2 Gen1 extender set is designed to extend signal from one USB host to multiple USB devices for up to 100 meters (328 feet) when paired with receiver from the homologous series.

This transmitter enables the extension from the USB-C host to a local USB device and USB devices on the receiver. The transmitter can be powered by a connected host device such as a computer or laptop, without the need for an external power adaptor. Type-A port can provide up to 5V/900mA (4.5W) power when unit is active. The unit also has a hotkey for convenient firmware update.

PANELS

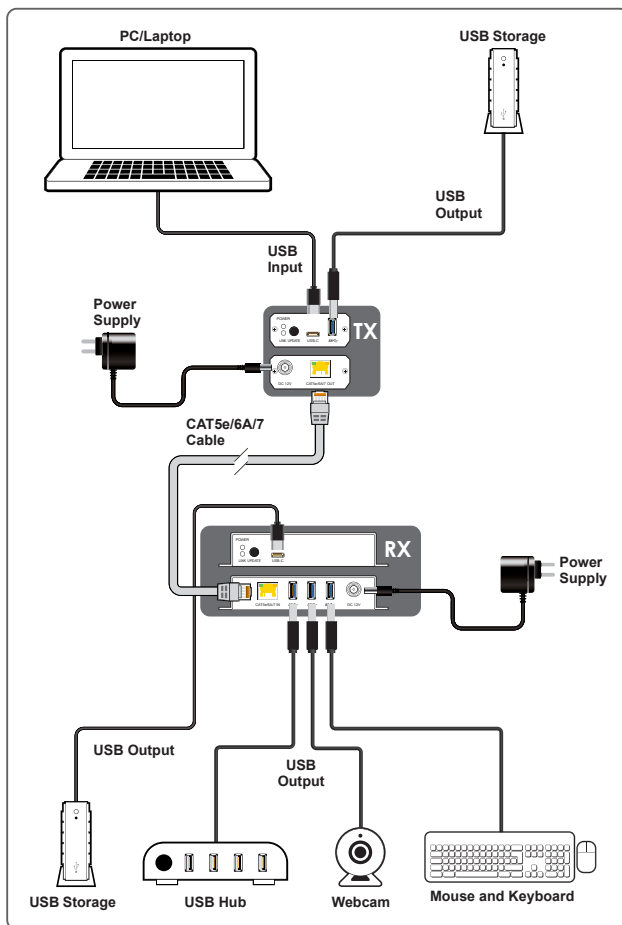


Front View



Rear View

DIAGRAM



FEATURES

- Support USB 3.2 Gen1 with 1 USB-C host port and 1 USB-A device port
- Support Point-to-Point transmission
- Transmission up to 100 meters (328 feet)
- The transmitter can be powered by a connected host such as a computer or laptop
- The host can control multiple USB devices on transmitter side and receiver side
- Firmware update with hotkey from the transmitter, enabling remote firmware updates to the receiver.
- Backward compatible with USB 2.0

SPECIFICATIONS

TX

Interfaces

Input Port	1×USB-C
Output Port	1×Cat5e/6A/7 (RJ45) 1×USB-A

USB

USB Performance 3.2 Gen1, SuperSpeed 5Gbps

Power

Power Supply	12V/1.25A (Powered by USB-C or Adapter)
Power Consumption	8.34W (full load)

Enclosure

Chassis Material	Metal (Aluminum)
Chassis Color	Black
Dimensions (W×H×D)	95mm×24.75mm×60mm [Case Only] 103.5mm×24.75mm×60mm [All Inclusive]
Weight	155g

Field Firmware Update

PC update

ORDERING INFORMATION

Model No.	Product Description
CH-730TX	USB3.2 over Category Cable Transmitter
CH-730RX	USB3.2 over Category Cable Receiver